

BLOOD RELATIONS BASED VERBAL REASONING PRACTICE QUESTIONS AND ANSWERS PDF WITH EXPLANATION

For All Competitive SSC, Bank, IBPS, UPSC, Railway, IT & Other Govt. Exams

Created By [Careericons](#) Team

DIRECTIONS:

Read the following information and answer the questions given below it:

- i. A is the father of C.
- ii. But C is not his son.
- iii. E is the daughter of C.
- iv. F is the spouse of A.
- v. B is the brother of C.
- vi. D is the son of B.
- vii. G is the spouse of B.
- viii. H is the father of G.

Q1. Who is the grandmother of D?

- a) A
- b) C
- c) F
- d) H

Q2. Who is the son of F?

- a) B
- b) C
- c) D
- d) E

DIRECTIONS:

Study the following information carefully and answer the questions given below:

- A. S is the daughter of U.
- B. V has only two children – S and Y.
- C. P is the brother of B.
- D. Y is married to D.
- E. V has only two daughters.
- F. J is the mother of U.
- G. P is married to S.
- H. J is married to L.
- I. V is the son of T.

Q3. Who among the following is the father of U?

- a) T
- b) J
- c) L
- d) V
- e) None of these

Q4. Who among the following is the sister-in-law of B?

- a) S
- b) Y
- c) J
- d) U
- e) T

5000+ FREE VERBAL REASONING QUESTION BANK FOR ALL SSC, UPSC, BANK, RAILWAY EXAMS

[Free Practice MCQs »](#)

[Download More PDF »](#)

[Free Online Quiz »](#)

Q5. How is V related to P?

- a) Mother-in-law
- b) Father-in-law

- c) Mother
 - d) Father
 - e) Brother
-

DIRECTIONS:

Study the following information carefully and answer the questions given below:

1. P is the daughter of Q.
2. R has only two children – P and S.
3. T is the brother of U.
4. S is married to V.
5. R has only two daughters.
6. W is the mother of Q.
7. T is married to P.
8. W is married to X.
9. R is the son of Y.

Q6. Who among the following is the father of Q?

- a) Y
 - b) W
 - c) X
 - d) R
 - e) None of these
-

Q7. Who among the following is the sister-in-law of U?S

- a) Q
 - b) P
 - c) Y
 - d) W
-

Q8. How is R related to T?

- a) Mother-in-law
 - b) Father-in-law
 - c) Mother
 - d) Father
 - e) Brother
-

DIRECTIONS:

Study the following information carefully and answer the questions given below it :

- i. All the six members of a family A, B, C, D, E and F are travelling together.
- ii. B is the son of C but C is not the mother of B.
- iii. A and C are a married couple.
- iv. E is the brother of C.
- v. D is the daughter of A.
- vi. F is the brother of B.

Q9. How many male members are there in the family ?

- a) 1
 - b) 4
 - c) 3
 - d) 2
-

Q10. Who is the mother of B ?

- a) D
 - b) A
 - c) E
 - d) F
-

Q11. How many children does A have ?

- a) One

- b) Four
 - c) Three
 - d) Two
-

Q12. Who is the wife of E ?

- a) A
- b) Can't be determined
- c) B
- d) F

1000+ FREE BLOOD RELATIONS BASED QUESTIONS AND ANSWERS FOR ALL COMPETITIVE EXAMS

[Free Practice MCQs »](#)

[Download More PDF »](#)

[Free Online Quiz »](#)

Q13. Which of the following is a pair of females ?

- a) AE
 - b) AD
 - c) DF
 - d) BD
-

Q14. How is E related to D ?

- a) Father
 - b) Can't be determined
 - c) Uncle
 - d) Brother
-

DIRECTIONS:

- A. M is daughter of N and sister of L.
- B. K is daughter of L and granddaughter of G.
- C. F is sister-in-law of M.
- D. L is only sibling of M.

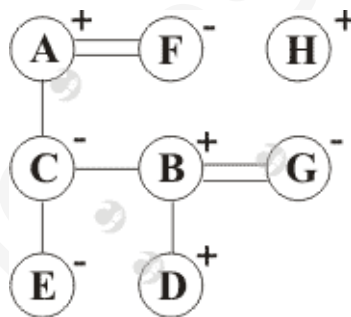
Q15. How is K related to N ?

- a) Granddaughter
- b) Grandson
- c) Daughter-in-law
- d) Daughter
- e) None of these

[Read More blood relation Question and Answers »](#)

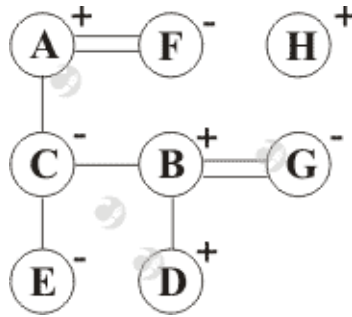
Answers to the above questions :

Q1. Answer: (c)



D is the son of B, B is the brother of C and A is the father of C. This means that B is the father of D and A is the grandfather of D. Since F is the spouse of A, so F is the grandmother of D.

Q2. Answer: (a)



As explained above, B is the son of A and F is the spouse of A. So, B is the son of F.

Q3. Answer: (c)

5000+ VERBAL REASONING TOPIC WISE MCQ QUESTION BANK WITH SOLVED ANSWERS & FREE PDF

[ANALOGY](#) [BLOOD RELATIONS](#) [CODING & DECODING](#) [CLASSIFICATION](#)

[VENN DIAGRAMS](#) [CLOCKS](#) [CALENDAR](#) [PUZZLES TEST](#)

[DIRECTION & DISTANCE SENSE TEST](#) [ASSERTION & REASON](#)

[CAUSE AND EFFECT](#) [SEATING ARRANGEMENTS](#) [STATEMENT & CONCLUSION](#)

[SERIES COMPLETION](#) [STATEMENT & ARGUMENTS](#)

[STATEMENT & ASSUMPTIONS](#) [STATEMENT & COURSE OF ACTION](#)

[PASSAGE & CONCLUSION](#) [SEQUENTIAL TEST](#) [MATHEMATICAL OPERATIONS](#)

[WORD FORMATION](#) [ALLIGATION & MIXTURES](#)

Q4. Answer: (a)

Q5. Answer: (b)

Q6. Answer: (c)

Q7. Answer: (a)

Q8. Answer: (b)

Q9. Answer: (b)

[**Note:** B is the son of C but C is not the mother of B means C is the father of B A is married to C means A is the mother of B. F is brother of B means F is son of A and C. D is daughter of A means D is daughter of A and C.]

From the above information, A is the mother and hence female. B is the son and hence male. C is the husband and hence male. D is the daughter and hence female. E is the brother and hence male F is the son and hence male. So, there are four males.

Q10. Answer: (b)

[**Note:** B is the son of C but C is not the mother of B means C is the father of B A is married to C means A is the mother of B. F is brother of B means F is son of A and C. D is daughter of A means D is daughter of A and C.]

From the above information, Clearly, A is the mother of B.

Q11. Answer: (c)

[**Note:** B is the son of C but C is not the mother of B means C is the father of B A is married to C means A is the mother of B. F is brother of B means F is son of A and C. D is daughter of A means D is daughter of A and C.]

From the above information, A has son B, son F and daughter D i.e. three children.

Q12. Answer: (b)

[**Note:** B is the son of C but C is not the mother of B means C is the father of B A is married to C means A is the mother of B. F is brother of B means F is son of A and C. D is daughter of A means D is daughter of A and C.]

From the above information, Clearly, from the data available, the wife of E cannot be determined.

Q13. Answer: (b)

[**Note:** B is the son of C but C is not the mother of B means C is the father of B A is married to C means A is the mother of B. F is brother of B means F is son of A and C. D is daughter of A means D is daughter of A and C.]

From the above information, Clearly, the females are only the mother A and the daughter D.

Q14. Answer: (c)

[**Note:** B is the son of C but C is not the mother of B means C is the father of B A is married to C means A is the mother of B. F is brother of B means F is son of A and C. D is daughter of A means D is daughter of A and C.]

From the above information, E is the brother of C who is the father of D So. E is the uncle of D.

Q15. Answer: (a)

On our site **Careerions.com**, You can find all the content you need to prepare for any kind of exam like. **Verbal Reasoning, Non-Verbal Reasoning, Aptitude, English, Computer, History, Polity, Economy, Geography, General Science, General Awareness & So on.** Make use of our expert-curated content to get an edge over your competition and prepare for your exams effectively.

Practice with our **Free Practice MCQs, Mock Tests Series, Online Quiz** and get an idea of the real exam environment. Keep track of your progress with our detailed performance reports. They are perfect for competitive exam preparation, as well as for brushing up on basic & fundamental knowledge. The questions are updated regularly to keep up with the changing syllabuses.